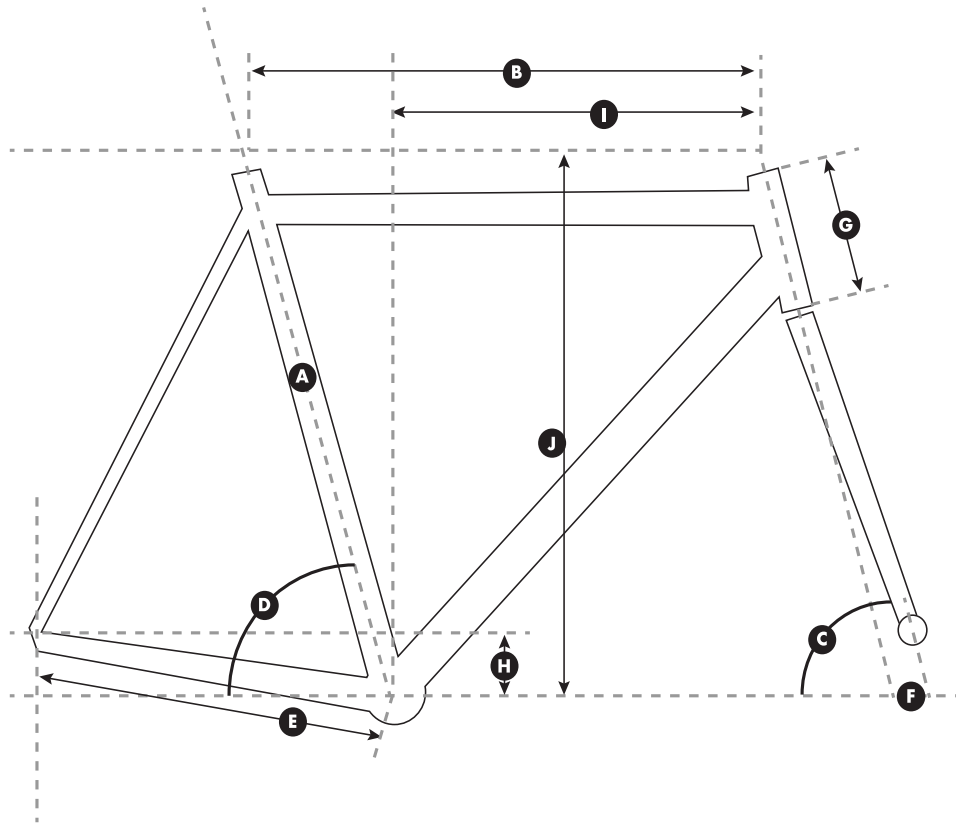


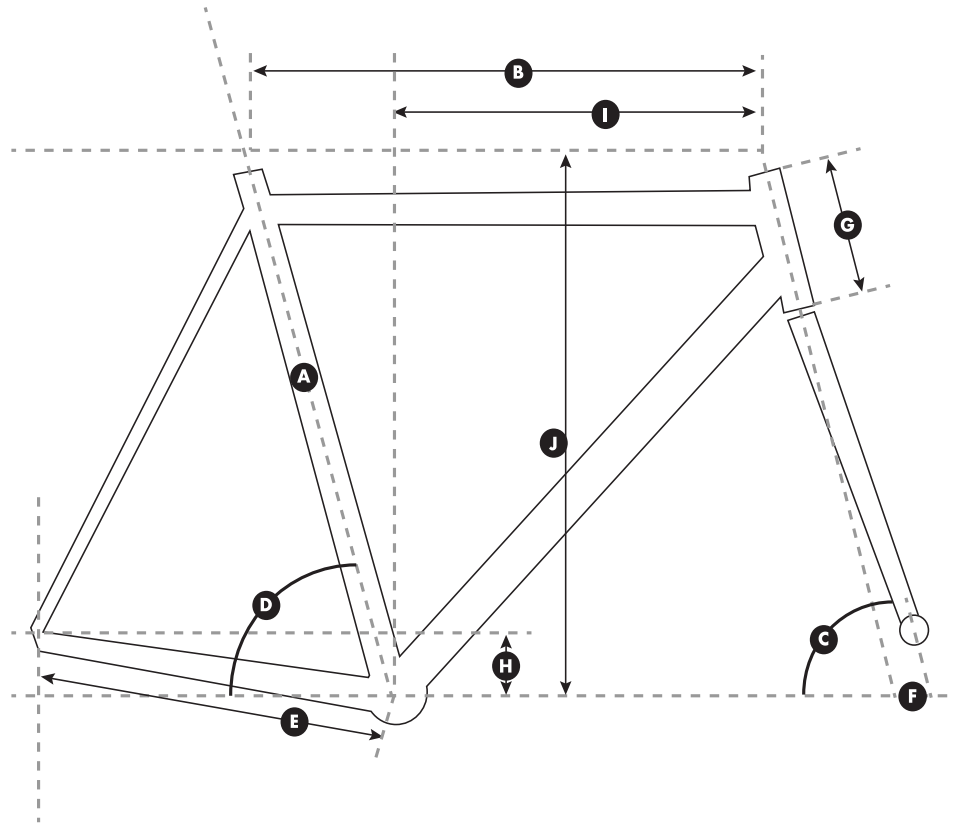
Geometry

	51	53	55	57	59
A C-T Seat Tube (mm)	485	520	540	560	580
B Effective Top Tube (mm)	520	540	560	580	595
C Head Tube Angle (degrees)	72	73	73	73.5	74
D Seat Tube Angle (degrees)	74.5	74	73.5	73.5	73
E Chain Stay Length (mm)	405	405	405	405	405
F Fork Offset (mm)	43	43	43	43	43
G Head Tube Length (mm)	128	135	148	160	180
H BB Drop (mm)	70	70	70	70	70
I Reach (mm)	370	382	394	410	413
J Stack (mm)	540	550	563	576	596



Geometry

	51	53	55	57	59
A C-T Seat Tube (mm)	480	520	540	560	580
B Effective Top Tube (mm)	520	540	560	580	595
C Head Tube Angle (degrees)	72	73	73	73.5	74
D Seat Tube Angle (degrees)	74.5	74	73.5	73	73
E Chain Stay Length (mm)	407	408	410	412	405
F Fork Offset (mm)	50	45	43	43	43
G Head Tube Length (mm)	128	135	148	160	180
H BB Drop (mm)	70	70	70	70	70
I Reach (mm)	369	382	393	405	413
J Stack (mm)	537	550	563	575	596



Geometry

	51	53	55	57	59
A C-T Seat Tube (mm)	520	520	540	560	570
B Effective Top Tube (mm)	520	540	560	580	595
C Head Tube Angle (degrees)	70.3	70.5	71.5	72	72.3
D Seat Tube Angle (degrees)	73.5	73.5	73	73	72.5
E Chain Stay Length (mm)	430	430	430	430	430
F Fork Offset (mm)	50	50	47	47	47
G Head Tube Length (mm)	123	130	142	156	170
H BB Drop (mm)	70	70	70	70	70
I Reach (mm)	355	378	383	399	404
J Stack (mm)	551	558	575	590	604